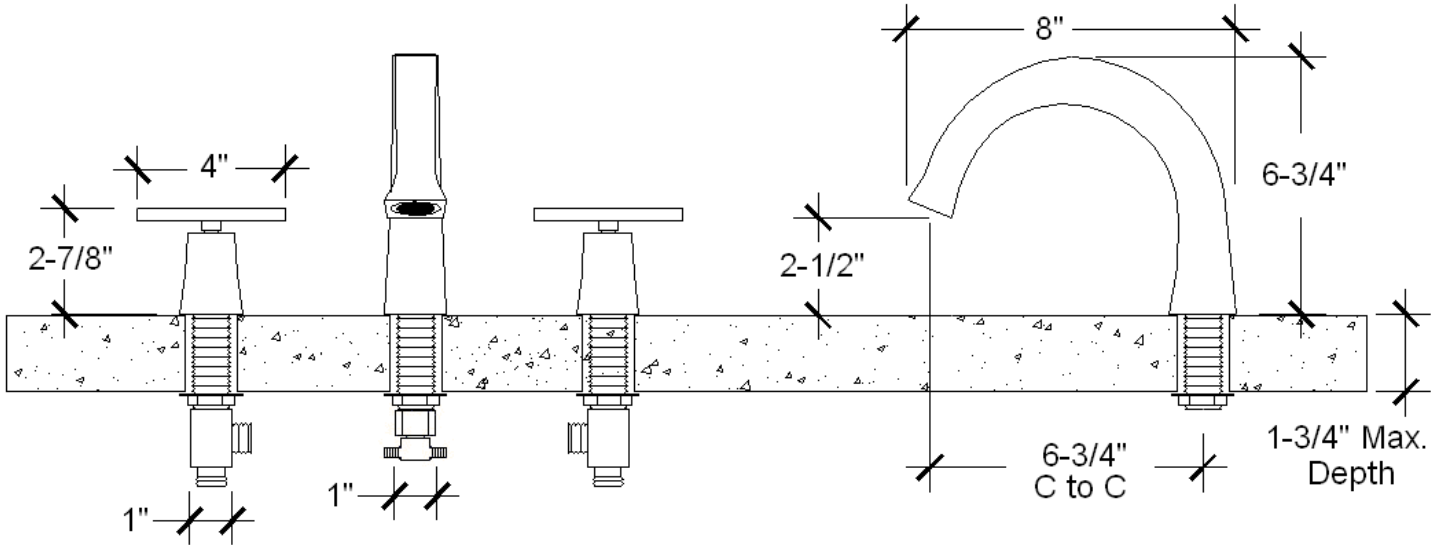




PRODUCT SPECIFICATIONS

Cixx Deck Mount Tub Filler
CX-RTF-DM-

Jan 2014



- ADA Compliant

| | |
|------------|--------------|
| Connection | 3/4" |
| Valve | 3/4" Ceramic |
| GPM | 10-14 |
| | |
| | |